

Zehnder Charleston Electric

Product description

zehnder



Radiator colour: RAL 9016 (Traffic White)



The Zehnder Charleston Electric is an electric, oil filled multi-column radiator available in 6 sizes ideal for installation in loft conversions. The complementary Zehnder Charleston Electric Plinth low level model is perfectly suited to conservatories and in front of low-level windows. Radiator with powder coating, in colour RAL 9016 as standard or in special colour.

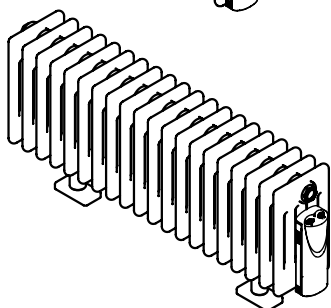
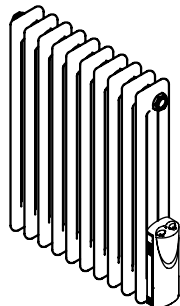
- Oil-filled multi-column electric radiator
- Vertical steel round tubes Ø 25 mm, 3 and 5 columns versions available
- Standard version primed and painted in RAL 9016
- Fixing: model NZ 060-XXX: Delivered ready to install with 2 wall brackets in colour of radiator. Model NZ 030-100: Delivered ready to install with 2 welded feet in colour of radiator.

Electric operation

- White control unit on the right
- Radiator filled with heat transfer liquid
- With integrated electric heating element
- Electronic thermostat, 5 operating modes
- Without plug, appliance class II
- Protection class IP34
- Pilot cable integrated
- Supply voltage: 230 V



Overview of models



Electric operation, wall version

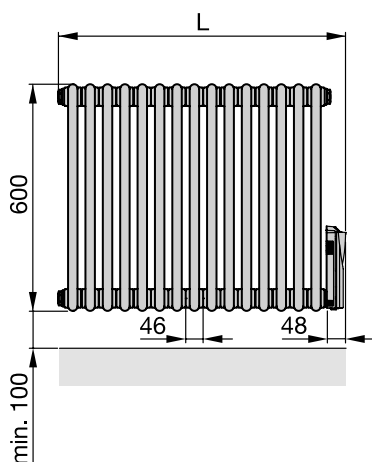
Model	H	L ¹⁾	Electric rating Watt	M
	mm	mm		kg
NZ-060-053	600	530	500	27
NZ-060-062	600	622	750	30
NZ-060-076	600	760	1000	41
NZ-060-089	600	898	1250	47
NZ-060-103	600	1036	1500	48
NZ-060-131	600	1312	2000	70

Electric operation, plinth version

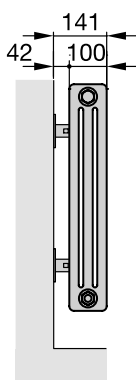
Model	H ³⁾	L ¹⁾	Electric rating Watt	M
	mm	mm		kg
NZ-030-100	300	995	1000	42,4

Technology

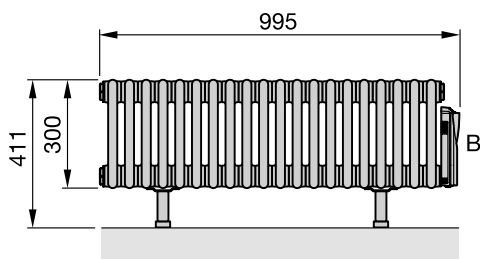
Wall version



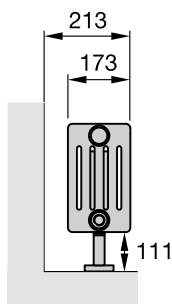
3-column



Plinth version



5-column



H = Height
 L = Length including control unit
 B = Control panel

Dimensions in mm

1) Total length incl. control panel

3) Without foot