



Radiator colour: RAL 9010 (Pure White)

Attractive, economical, comfortable and convenient warmth - all you could want from a radiator. The Zehnder Alura Tech is a fast response electric radiator with a high output in relation to its small size, and is easy and economical to use. Its weight and size make it easy to install.

- Manufactured from aluminium
- Aluminium elements, L = 100 mm
- Colour finish: white RAL 9010
- H bracket with integral spirit level included

### Electric operation

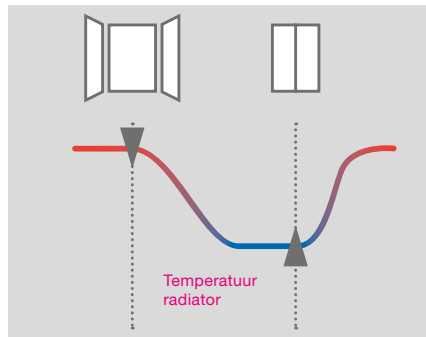
- Integrated control panel with LCD display on the right
- Radiator filled with heat transfer liquid
- With integrated electric heating element
- Integrated control panel with LCD display
- Open window detection
- Protection class IP34
- Without plug, appliance class II
- Pilot cable integrated
- Supply voltage: 230 V



### Smart handling

The control panel is designed as an integral part of the radiator: it is simple to operate using plus and minus keys and temperature and energy consumption are easy to read.

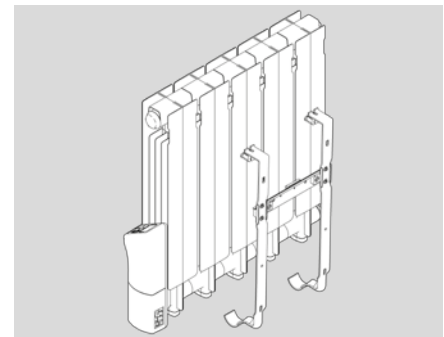
- Three predefined heating programs
- Control panel can be locked for security
- Operation as needed with energy consumption indicator



### Open window detection

The integral control unit recognises if a window has been opened for an extended period and switches the radiator off. Once the window is closed, the radiator returns to normal operation.

- External temperature sensor recognises temperature changes.
- Integral thermostat reacts to sensor information.
- Radiator automatically switches off if a window is open for an extended period.
- Intelligent heating that saves energy and costs.

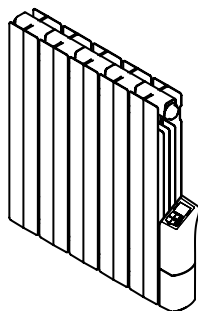


### H bracket

Practical installation: The H bracket with integral spirit level makes it easy to mount the radiator level on the wall.

- Integral spirit level guarantees precise, level installation
- Designed for practical installation
- Perfect appearance: Radiator mounts close to the wall, H bracket is painted the same colour as the radiator

## Overview of models

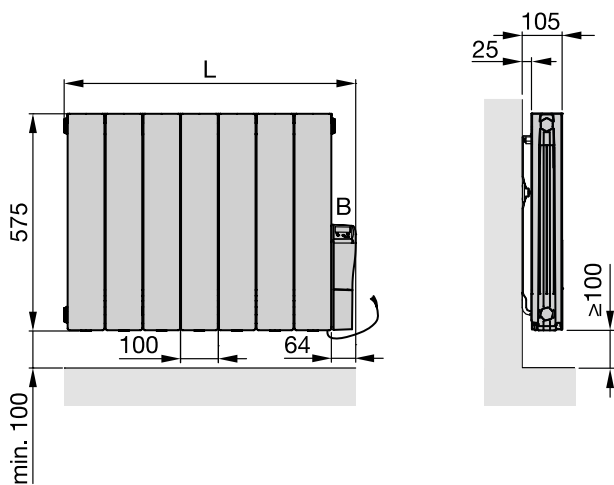


Electric operation with control panel and LCD display

Model	H	L <sup>1)</sup>	Electric rating Watt	M
	mm	mm		kg
ALE-050-036/F	575	372	500	7
ALE-075-046/F	575	472	750	9
ALE-100-056/F	575	572	1000	11
ALE-125-076/F	575	772	1250	15
ALE-150-086/F	575	872	1500	17
ALE-200-116/F	575	1172	2000	23

## Technology

Wall mounting



- L = Length including control unit
- B = Control panel

Dimensions in mm

<sup>1)</sup> Total length incl. control panel