

Zehnder Stalox

Hydronic operation

Product data sheet

always the best climate



Pure and practical. Classic and generous. This is Zehnder Stalox, made of high-quality, polished stainless steel or painted white. The horizontal round tubes offer a lot of space for conveniently hanging towels.

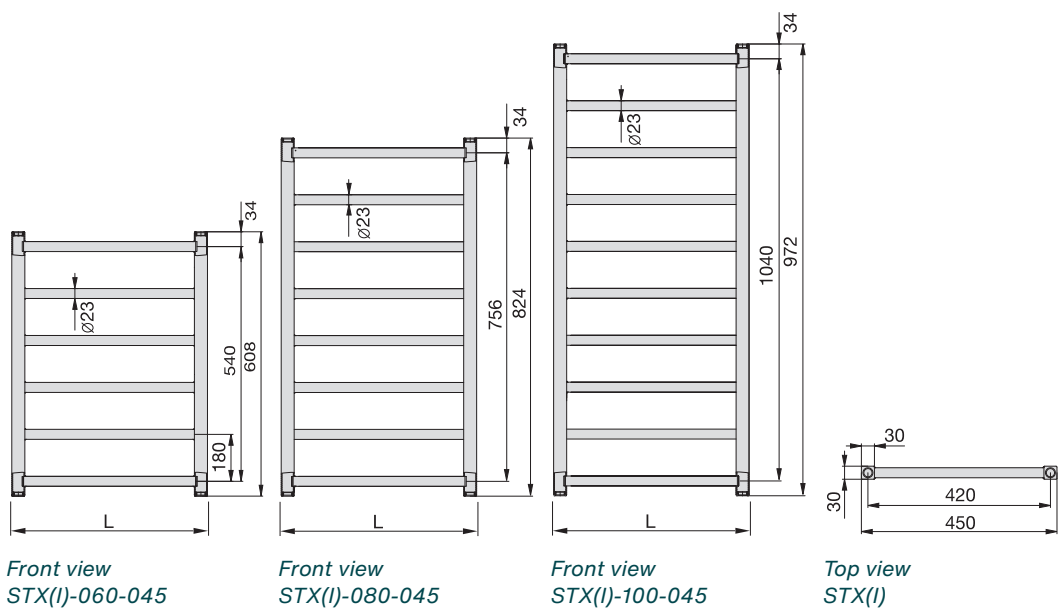
Special benefits for hot water operation

- Replaceable flow and return makes installation flexible

Advantages

- Corrosion-resistant materials also make it suitable for use with open heating systems
- Distinctive design ideally blends with classic bathrooms with square headers
- Light and seamless design enhances any room

Model overview



Painted version

Model	H mm	L mm	Heat output		
			75/65/20 °C	70/55/20 °C	55/45/20 °C
			Watts	Watts	Watts
STX-060-45	608	450	190	156	102
STX-080-45	824	450	247	203	133
STX-100-45	1040	450	310	255	166

H = height, L = length
75/65/20 = Nominal heat output according to EN 442

Stainless steel version, polished

Model	H mm	L mm	Heat output		
			75/65/20 °C	70/55/20 °C	55/45/20 °C
			Watts	Watts	Watts
STXI-060-045	608	450	125	103	68
STXI-080-045	824	450	167	136	88
STXI-100-045	1040	450	209	170	109

H = height, L = length
75/65/20 = Nominal heat output according to EN 442

