



■ Decorative radiators ■ Comfortable indoor ventilation ■ Heating and cooling ceilings ■ Industrial air purification

Zehnder ComfoAir Flex

Outstanding performance in the smallest of spaces



Zehnder is a renowned international provider of sustainable, healthy, and comfortable indoor climate solutions for ventilation and heating. With their advanced features and high-quality performance, Zehnder ventilation units allow for maximum control, convenience, and energy efficiency. Due to their durability, longevity, quiet operation, and easy maintenance, Zehnder units are an excellent choice for both residential and commercial applications – even in confined spaces.



Zehnder ComfoAir Flex

Premium comfort. Maximum flexibility. Climate solutions for a healthy home.

If you are looking for a ventilation unit that transforms a space without taking up too much of it, we have the answer: Our Zehnder ComfoAir Flex rises to every challenge.





Well prepared for future demands: Zehnder ComfoAir Flex adapts to customer needs.

Specially developed for apartments and smaller houses, Zehnder ComfoAir Flex efficiently maintains the comfort level in every room of your home. Equipped with the quietest fan technology on the market, Zehnder ComfoAir Flex operates with minimal noise, even when working at maximum capacity. Energy-efficient and hard-working, it's easy to see why people across the world love the enhanced filter technology Zehnder ComfoAir Flex provides.



Modern ventilation units need to suit the demands of the customer; not the other way around.

Expensive housing, limited space, and ever-growing requirements – three challenges that define the everyday lives of homeowners and tenants.

Our customers told us they wanted a high-quality ventilation system to maintain the comfort level in their houses, even when space requirements were at a premium. We responded with the ComfoAir Flex – a compact unit that fits the smallest homes and apartments.

Zehnder ComfoAir Flex has been designed to be easy and flexible to install. Four turnable bends, adjustable mounting brackets, and left and right orientation options make this unit a versatile all-rounder.

Designed for confined areas, the Zehnder ComfoAir Flex is 1068 × 868 × 327 mm (L × W × H). This makes it the perfect fit for any apartment and means you don't have to choose between exceptional ventilation and precious living space.

Clever fan technology optimises the air flow, and means Zehnder ComfoAir Flex operates quietly. With flow control technology, the unit precisely balances the airstreams for maximum energy efficiency and comfortable ventilation.

With the built-in WiFi connection, you're always in control. Manage the unit with the Zehnder ComfoControl app, wherever you are.



Zehnder ComfoAir Flex flow grid – providing whisper-quiet functionality even on the most powerful setting. Reference: Fairtech in Belgium

A versatile all-rounder: Exceptional technology in a compact design

- ✓ **Especially designed for small spaces**
- ✓ **Multiple installation options**
- ✓ **Energy-efficient and powerful**
- ✓ **Take control with Zehnder ComfoControl app**





Reference:
Fairtech in Belgium



The energy landscape is rapidly evolving. Zehnder ComfoAir Flex will be one of only a few ventilation units that will be able to face the challenges of a future energy market.



climateswitch®

Intelligent monitoring and automatic adjustment

It's essential that your ventilation system keeps you warm in the winter and cool in the summer. Zehnder's groundbreaking **Climate Switch technology** uses advanced algorithms to continuously monitor and adjust your home's temperature, humidity, and airflow, providing optimal comfort and a healthy indoor environment. All of this is done automatically, meaning you don't have to do anything. Climate Switch makes for a more pleasant home and helps you save money by lowering energy consumption, as well as extending the life of your Zehnder ComfoAir Flex.

What inspired you to develop Zehnder ComfoAir Flex?

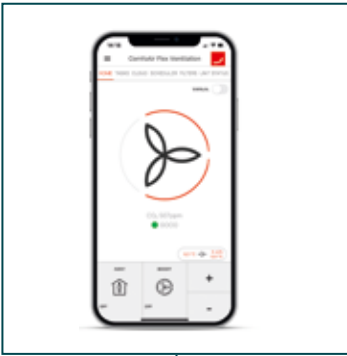
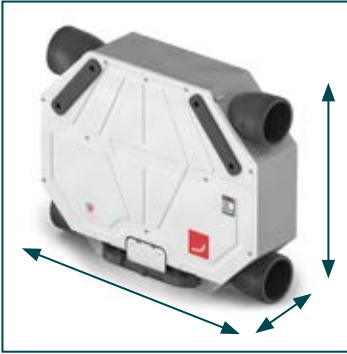
Wouter van der Stappen – Group Product Manager:

“Feedback is essential to us, and our customers told us they wanted a high-quality Zehnder unit that was suitable for small spaces. As a leading expert in the ventilation industry, we used our know-how and experience to create a new benchmark for ceiling-mounted recovery units – Zehnder ComfoAir Flex.”

What are your aims for Zehnder ComfoAir Flex?

Wouter van der Stappen – Group Product Manager:

“We want to bring the pleasure of a comfortable, healthy indoor climate to more people than ever before. With its flexible installation options, WiFi readiness, and app functionality, we've developed and designed an easy-to-use unit that anyone can enjoy. With Zehnder ComfoAir Flex, even the smallest homes can benefit from exceptional air quality.”



Complete control with just a swipe of your phone.



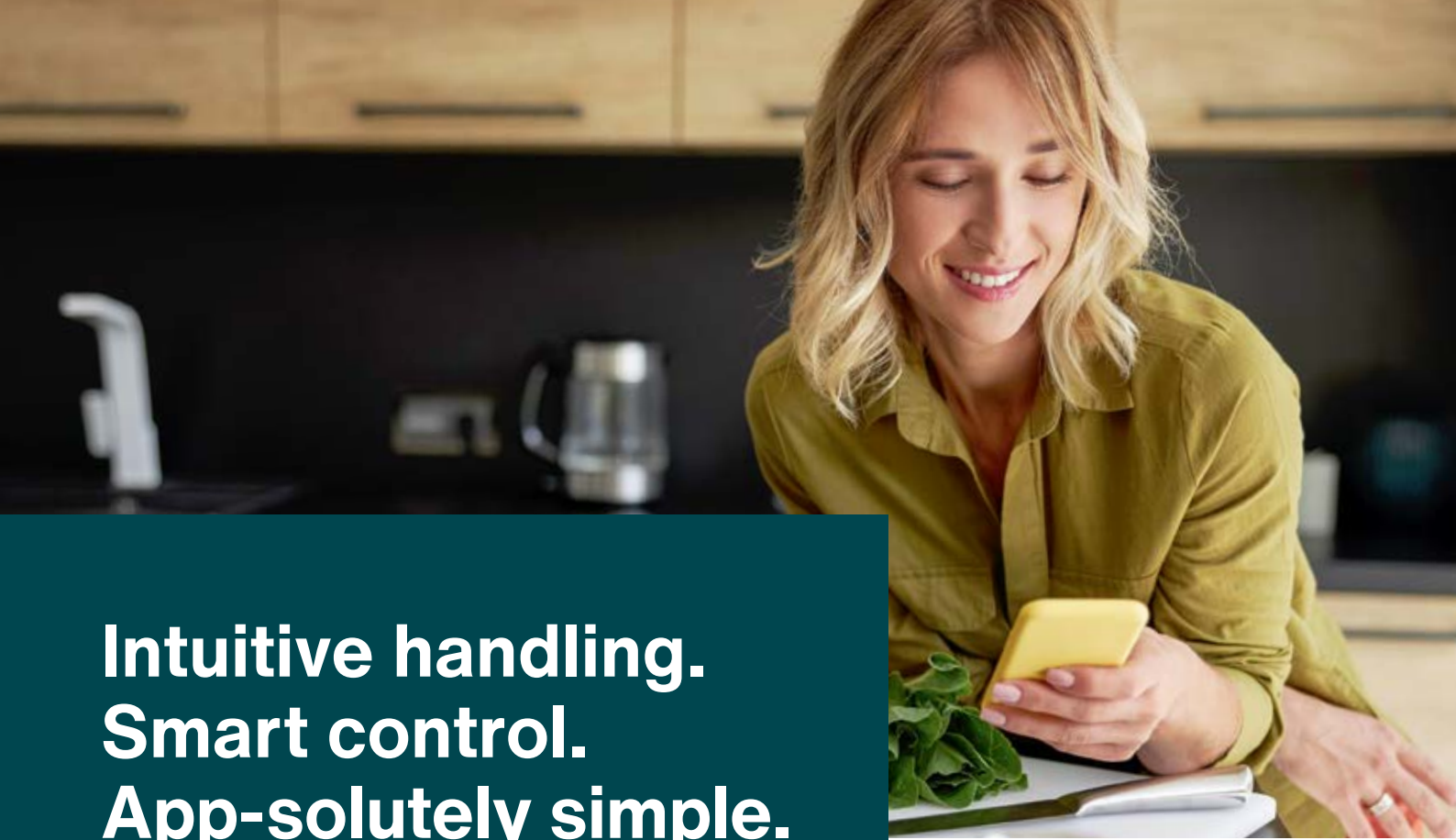
Reference: Cevek in Belgium



”

By listening to our customers and combining their thoughts with Zehnder expertise, we were able to create this pioneering unit.

Wouter Van der Stappen,
Group Product Manager Ventilation



Intuitive handling. Smart control. App-solutely simple.

In complete control: Our innovative Zehnder ComfoControl app lets you manage and monitor your Zehnder ComfoAir Flex, wherever you are.

Zehnder ComfoControl app
Zehnder ComfoControl app lets you run your Zehnder ComfoAir Flex even when you're not home. Simple to install and set up, connect your Zehnder ComfoAir Flex to your WiFi, and you're set!

Adjust the settings through the easy-to-use interface and set schedules to suit your day. Zehnder ComfoControl app lets you track the performance of your Zehnder ComfoAir Flex, access detailed insights into energy consumption, and set alerts and push notifications.

Smart sensors
Manually adjust the settings to adjust ventilation in your home, or let the finely-tuned sensors do the work for you.

The Zehnder ComfoSwitch C and Zehnder CO₂ Sensor C make it easy to improve air quality and remove harmful contaminants from the environment.

Commissioning Wizard
Our Commissioning Wizard software makes it easy for HVAC installers to set up and configure the Zehnder ComfoAir Flex. Follow the step-by-step instructions, answer the verification questions, and use the troubleshooter to resolve any issues.

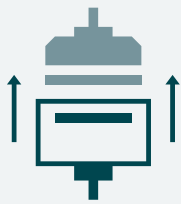
The Commissioning Wizard gives homeowners peace of mind that the unit is safely installed and optimised to their specific requirements.

3 reasons why you're always in control with Zehnder ComfoAir Flex

- ✓ **Commissioning Wizard** – any installer can set up the unit quickly and efficiently
- ✓ **Zehnder ComfoControl App** – manage the unit and change your settings from anywhere
- ✓ **Smart sensors** – automatically adjusts the air quality, ensuring perfect ventilation at all times



Control Options

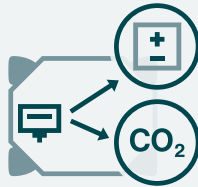


Included options

Your unit comes with many different connections, meaning you can manage the air quality of your home 24/7

Included Inputs

- Fire input contact
- Boost input contact
- BMS input (0 – 10 V)
 - Error output



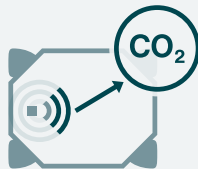
Zehnder ComfoNet

An intelligent communication system which enables all components to “talk” to each other and work perfectly in-sync



Zehnder ComfoSwitch C

Choose your ventilation speed and clear the air with the boost functionality



Zehnder CO₂ Sensor C

The unit automatically adjusts to ensure optimal air quality at all times



On-Board WiFi-Module

Easily connect your unit to your WiFi so you can manage it wherever you are



Zehnder ComfoControl App

Download the app and adjust your unit settings using your smartphone



Zehnder ComfoAir Flex uses sensors to monitor air quality, making automatic adjustments as needed.

- Flow rate sensors measure airflow, ensuring optimal ventilation
- Humidity sensors measure moisture, reducing condensation and the risk of mould and odours
- Temperature sensors ensure a pleasant temperature all year round

Scan here and download Zehnder ComfoControl App!



Durable components. Easy maintenance. Smooth operation.

Compact and powerful, Zehnder ComfoAir Flex fits lots of cutting-edge technology into one small unit. Our specialists have developed this ventilation system so it's easy to clean, maintain, and service, meaning you feel the benefit for years to come. Find out more about the innovative tech behind Zehnder ComfoAir Flex and how the individual components work to improve the air quality of your home.

Pre-heated air for your comfort and convenience

The pre-heater ensures frost protection by warming outdoor air before it enters your unit, taking temperature, airflow, and humidity into account. Allows for year-round operation of your unit, regardless of the outdoor conditions.



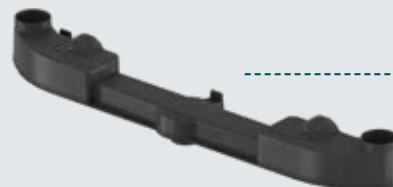
Powerful ventilation, peaceful home

A ventilation unit must function quietly, even on the most powerful setting. The flow grid, scroll housing and impeller ensure the best possible airflow, reducing noise and ensuring everyone can work, play, and sleep undisturbed.



Keeping your air clean and your unit healthy

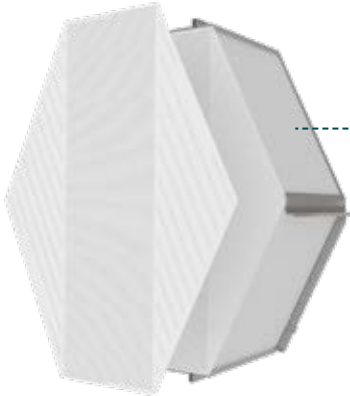
With its innovative design, the double dry siphon keeps your heat exchanger dry and removes excess moisture. This prevents mould and bacteria growth and removes condensate water from the system, reducing the risk of leaks and blockages.





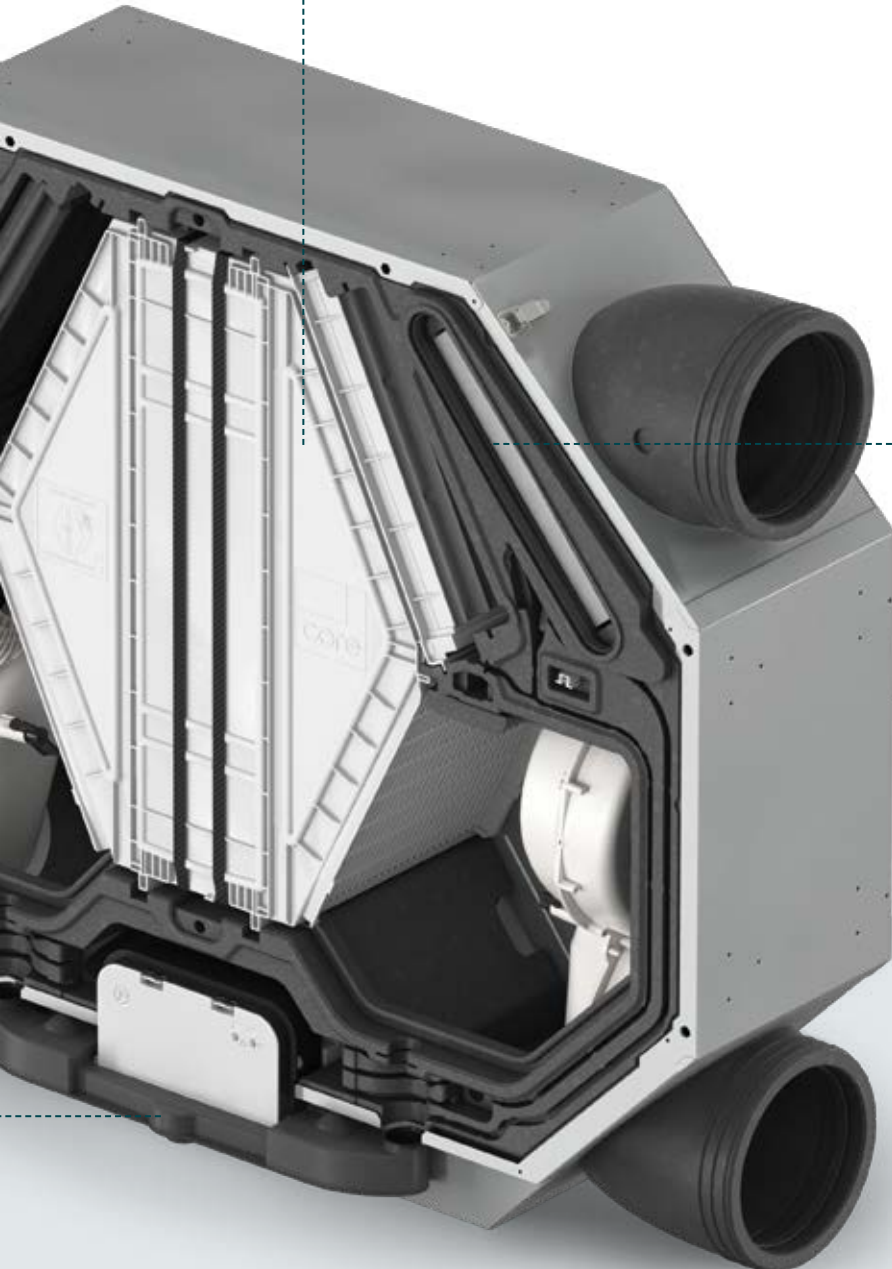
Improved heat recovery, in one tiny piece of equipment

The purpose of the inline modulating louvre bypass is to improve heat recovery control; heat recovery is reduced partially or totally in conditions where it is not needed. Space-saving and compact, the inline modulating louvre bypass makes Zehnder ComfoAir Flex more streamlined.



An innovative design that reduces your energy bills

With a unique shape and large surface, Zehnder ComfoAir Flex heat exchanger can achieve a high heat recovery. This means you save money on energy bills and lower your carbon footprint.



Eliminating the smallest particles from the atmosphere

Our Zehnder hygiene filter set traps particles as small as one micrometre in diameter, capturing dust and pollen, as well as harmful bacteria and mould particles that can cause respiratory problems. With the Zehnder hygiene filter set, your home stays clean and the air stays pure.

Premium quality in figures

Performance values

Performance data* Zehnder ComfoAir Flex 350 115W ePM1 PH

Measurement point	qv [m ³ /h]	pst [Pa]	P [W]	cos φ	SFP [Wh/m ³]
1	150	25	24	0.44	0.16
2	200	50	45	0.48	0.23
3	245	50	64	0.50	0.26
4	250	100	77	0.51	0.31
5	300	100	103	0.53	0.34
6	350	100	135	0.55	0.38
7	250	150	88	0.52	0.35
8	250	200	99	0.53	0.39
9	300	200	126	0.54	0.42
10	350	200	158	0.56	0.45

Performance data* Zehnder ComfoAir Flex 350 85W ePM1 PH

Measurement point	qv [m ³ /h]	pst [Pa]	P [W]	cos φ	SFP [Wh/m ³]
1	150	25	23	0.43	0.15
2	200	50	44	0.48	0.22
3	245	50	63	0.50	0.26
4	250	100	77	0.51	0.31
5	300	100	104	0.53	0.35
6	350	100	136	0.55	0.39
7	250	150	88	0.52	0.35
8	250	200	99	0.53	0.40
9	300	200	127	0.54	0.42
10	350	150	148	0.55	0.42

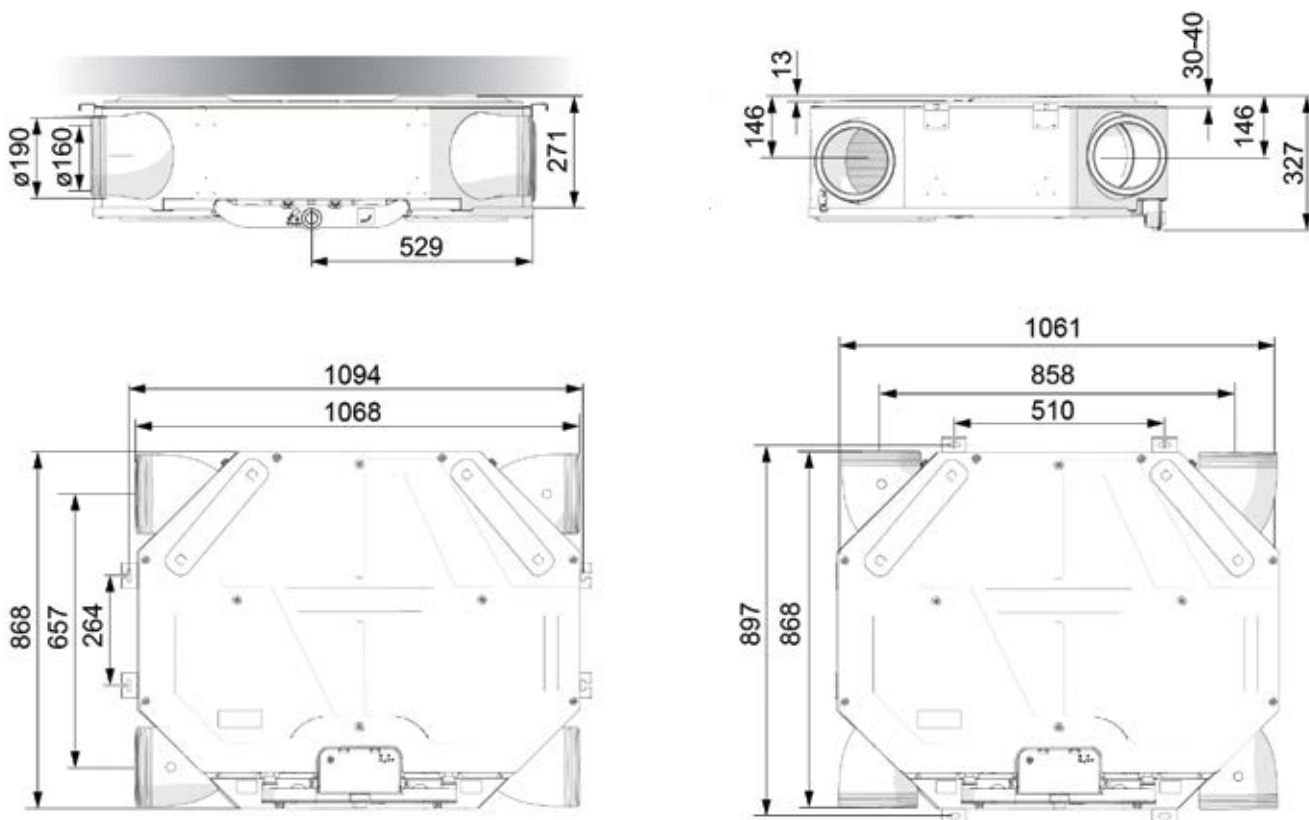
Performance data* Zehnder ComfoAir Flex 250 ePM1 PH

Measurement point	qv [m ³ /h]	pst [Pa]	P [W]	cos φ	SFP [Wh/m ³]
1	100	25	13	0.39	0.13
2	150	50	29	0.45	0.19
3	175	50	36	0.46	0.21
4	200	100	55	0.49	0.28
5	250	100	77	0.51	0.31
6	200	150	65	0.50	0.33
7	200	200	76	0.51	0.38
8	250	200	99	0.53	0.39

* HRV heat exchanger + hygiene filter set: 1x IsoCoarse (G4) filter, including pre heater

Compact design made to fit

Technical drawings



All measures in millimetres (mm).

Key benefits at a glance.

For customers

Customers benefit from by reliability, efficiency, and impressive high-performance ventilation:

- Fresh and healthy indoor environment for maximum comfort even in confined spaces
- No waste of valuable living space, as no further technical or storage room is required
- Reduced noise levels even during maximum operation thanks to the quietest fan technology on the market
- Smart remote operation and intuitive handling via intelligent app control
- Cost savings due to excellent energy-efficiency and low electric consumption
- High-quality components for reliability, durability, and longevity



For planners and installers

Professionals are supported in planning, installation, and maintenance:

- Compact design for simple integration into any home
- Enhanced flexibility due to multiple installation and orientation options
- Optimal accessibility for quick commissioning and easy maintenance

Why Zehnder Original filters?

Zehnder Original filters are designed for Zehnder ComfoAir Flex, meaning improved airflow, less harmful particles, and better air quality.

When you recommend our filters, you're helping people get the best out of their home ventilation systems.



No fakes - just real deal! Scan here and learn more.

Got any more questions?

We're happy to help! Get in touch with us using the contact details or visit our website.

T +XX 4321 123 456-123
mail@mail.xx
www.domain.xx

always the best climate

Our mission is to provide a healthy indoor climate with top quality solutions. Living spaces are kept at a comfortable temperature by our radiators and heating & cooling ceilings whereas our ventilation solutions make sure that you can breathe fresh clean air 24/7.

zehnder

- Decorative radiators ■ Comfortable indoor ventilation
- Heating and cooling ceilings ■ Industrial air purification



global presence in over 70 countries

Your global partner for indoor climate

Trusted partner

We provide our customers with tailored services from planning to installation of excellent solutions for the best indoor climate since 1895.



Know what's next

Consistent focus on innovation has always been the motor for our business. We strive to provide intelligent solutions for ventilation, heating, and cooling.



Swiss quality and precision

Swiss quality and precision are reflected in all our products. Our design standards create timeless elegance in living spaces for yesterday, today, and tomorrow.



Know why, know how

It is our ongoing mission to share our expertise and know how with our customers by providing expert trainings. Our dedicated Zehnder academies bring indoor climate to life.



